

TROUBLESHOOTING CHART:

| Problem | Cause | Solution |
|----------------------------|---|--|
| 1. No discharge | a. No water | a. Turn on water supply |
| 2. No concentrate draw | a. Metering tip or eductor has scale build-up | a. Clean (descale) or replace |
| | b. Low water pressure | b. Minimum 30 PSI (with water running) required to operate unit properly |
| | c. Discharge tube | c. Push tube firmly onto eductor discharge hose barb |
| | d. Concentrate container empty | d. Replace with full container |
| 3. Excess concentrate draw | a. Metering tip not in place | a. Press correct tip firmly into barb on eductor |

NOTE: In hard water areas, scale may form inside the discharge end of the eductor, as well as in other areas of the unit that are exposed to water. This scale may be removed by soaking the eductor in a descaling solution (deliming solution). To remove an eductor located in the cabinet, unthread it. Alternatively, a scaled eductor can be cleaned (or kept from scaling) by drawing the descaling solution through the unit. Operate the unit with the suction tube in the descaling solution. Operate the unit until solution is drawn consistently, then flush the unit by drawing clear water through it for a minute. Replace concentrate container and put suction tube into concentrate.

NUANCE Dual Draw System

with E-Gap Eductors

THANK YOU FOR YOUR INTEREST IN OUR PRODUCTS

Please use this equipment carefully and observe all warnings and cautions.

***** NOTE *****

| | |
|---------------|---|
| WEAR | protective clothing and eyewear when dispensing chemicals or other materials. |
| ALWAYS | observe safety and handling instructions of the chemical manufacturers. |
| ALWAYS | direct discharge away from you or other persons or into approved containers. |
| ALWAYS | dispense cleaners and chemicals in accordance with manufacturer's instructions. Exercise CAUTION when maintaining your equipment. |
| KEEP | equipment clean to maintain proper operation. |
| WEAR | protective clothing and eyewear when working in the vicinity of all chemicals, filling or emptying equipment or changing metering tips. |
| ALWAYS | re-assemble equipment according to instruction procedures. Be sure all components are firmly screwed or latched into position. |
| ATTACH | only to tap water outlets (85 PSI maximum). |
| NOTE | If the unit is used to fill a sink or the discharge hose can be placed into a sink, the unit must be mounted so that the bottom of the cabinet is above the overflow rim of the sink. |

Package Contains:

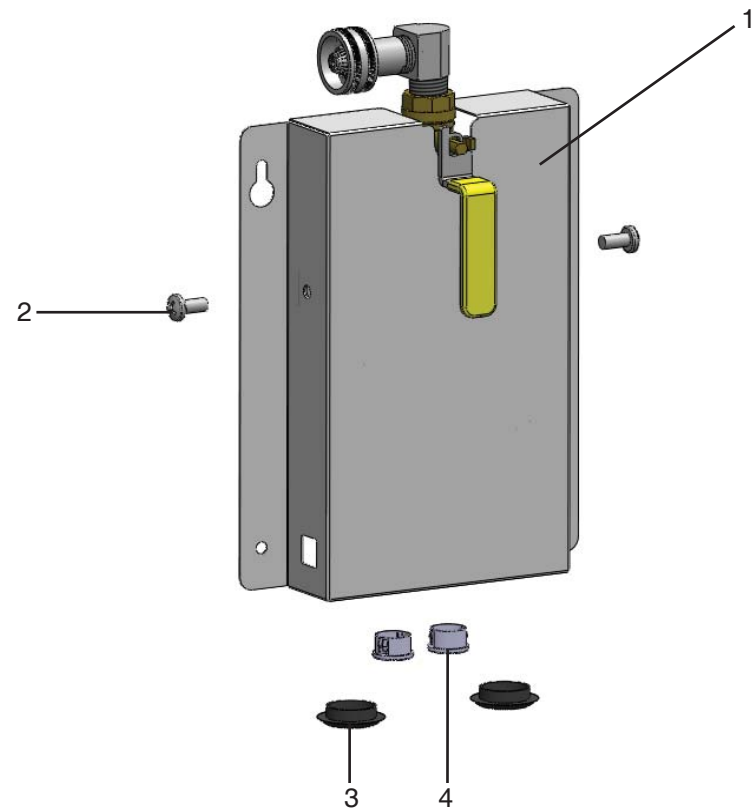
1. Proportioner unit
2. Suction tubing: (2) 1/4" x 4'
3. Accessory kit containing:
 - (4) Mounting screws and anchors;
 - (1) male quick connect; (1) Female quick connect; (2) Caps for chemical bottles; (2) Metering tip kits
4. Dual Discharge tube.
5. Hose hook for discharge tube.
6. Water supply hose, 1/2" X 6'
7. Instruction sheet

Installation and Operation:

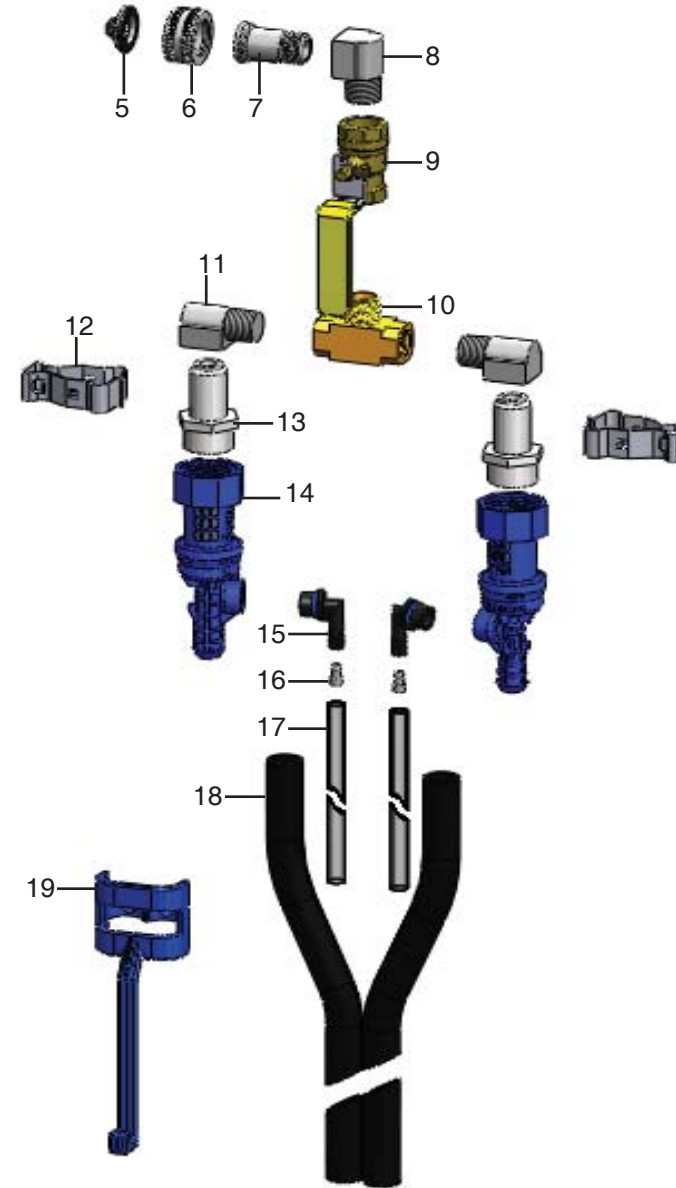
1. Select metering tips (see tip chart on next page) and insert a tip into each hose barb on the eductor bodies.
2. Slide one end of each of the chemical pick-up tubes thru the smaller grommets on the bottom of the cabinet and slip them over the metering tips/hose barbs on the eductors.
3. Slide ends of discharge tube (end with 6" slit between tubes) thru the larger grommets on the bottom of the cabinet and slip them over the discharge outlets on the eductors.
4. Hold unit up to wall and drill holes for the wall anchors with a 9/32" drill. Install mounting anchors, and then install screws into top two anchors. Slide key holes at top of dispenser over screw heads. Install bottom two screws through holes in cabinet. Tighten all screws. Do not mount the bottom of the unit more than 4 ft. above bottom of concentrate container, and never mount your concentrate higher than the dispenser.
5. Slide the supplied caps for the chemical bottles into the open end of the chemical pick-up tubes and thread onto chemical bottles. **NOTE: Make sure to match the proper chemical pick-up tube feeding from the proper bottle to the correct tip for your application.**
6. Verify the handle on the ball valve is horizontal (pointing to your left when mounted on the wall). Connect water supply hose to water inlet (Minimum 30 PSI pressure, with water running, is required for proper operation.) Turn on water supply to the cabinet.
7. Purge air from the system by opening the ball valve briefly. (Ball valve will be in the vertical position - pointing down - when open.) **NOTE: Make sure you have someplace to discharge fluid when purging and priming your system.**
8. Prime chemical pick-up tubes with chemical. Open ball valve to start flow of water/concentrate solution, and run until BOTH chemical pick-up tubes are filled.

| Product | Nuance Components | 5:1 | 10:1 | 15:1 | 20:1 | 25:1 | 30:1 | 40:1 | 50:1 | 64 : 1 |
|---|------------------------|------------|-----------|--------|---------|------------|------------|------------|--------------|--------------|
| Heavy Duty Alkaline Degreaser | Component One A | Green | Dark Blue | Aqua | New Red | Purple | Light Grey | Pink | Light Purple | Olive Green |
| | Component One B | Light Blue | Brown | Yellow | New Red | Purple | Light Grey | New Black | Pink | Light Purple |
| Heavy Duty Alkaline Degreaser for Hard Water Conditions | Component Four A | Light Blue | Dark Blue | Aqua | New Red | Purple | Light Grey | New Black | Light Purple | Olive Green |
| | Component One B | Light Blue | Brown | Yellow | New Red | Purple | Light Grey | New Black | Pink | Light Purple |
| Heavy Duty Alkaline Butyl Degreaser | Component One A | Green | Dark Blue | Aqua | New Red | Purple | Light Grey | New Black | Light Purple | Olive Green |
| | Component Five B | Green | Yellow | Aqua | Purple | Light Grey | New Black | Pink | Light Purple | Olive Green |
| Heavy Duty Citrus Degreaser | Component Fourteen A | Light Blue | Dark Blue | Aqua | Purple | Light Grey | New Black | Pink | Light Purple | Olive Green |
| | Component Fourteen B | Light Blue | Brown | Yellow | Aqua | New Red | Purple | Light Grey | New Black | Light Purple |
| Controlled pH Safe Chelate Degreaser | Component Sixteen A | Green | Dark Blue | Aqua | New Red | Light Grey | New Black | Pink | Light Purple | Olive Green |
| | Component Sixteen B | Light Blue | Orange | Yellow | Aqua | New Red | Purple | Light Grey | New Black | Pink |
| Low pH Fast Breaking Emulsion Degreaser | Component Twenty A | Green | Dark Blue | Aqua | New Red | Purple | New Black | Pink | Light Purple | Olive Green |
| | Component Twenty B | Green | Yellow | Aqua | Purple | Light Grey | New Black | Pink | Light Purple | Olive Green |
| All Purpose Safe Solvent Degreaser | Component Twenty-Two A | Green | Yellow | Aqua | Purple | Light Grey | New Black | Pink | Light Purple | Olive Green |
| | Component Twenty-Two B | Green | Yellow | Aqua | Purple | Light Grey | New Black | Pink | Light Purple | Olive Green |

Part Diagram:



Parts Diagram/List:



| Key | Part No. | Description |
|------------|----------|-------------------------------|
| 1 | 90090831 | Cover |
| 2 | 10084025 | Screw, 1/4-20 X 1/2" |
| 3 | 90075919 | Grommet, discharge |
| 4 | 235900 | Grommet, pick-up tube |
| 5 | 238100 | Strainer washer |
| 6 | 506502 | Swivel nut |
| 7 | 276701 | Swivel stem |
| 8 | 326300 | Elbow, street, 3/8" |
| 9 | 10084020 | Ball valve, 3/8" |
| 10 | 133000 | Branch tee |
| 11 | 326300 | Elbow, street, 3/8" |
| 12 | 10041701 | Hanger for manifold |
| 13 | 10082821 | Hose fitting |
| 14 | 296 | 5 GPM eductor |
| 15 | 10077500 | 90° Angle hose barb |
| 16 | 690014 | Measuring tip kit |
| 17 | 90090833 | Tube, 1/4"ID x 4' tygon |
| 18 | 90090832 | Dual discharge tube 8' |
| 19 | 10092726 | Hose hook, dual, blue |
| Not Shown: | | |
| | 324900 | Water inlet hose, 1/2" x 6' |
| | 10058010 | Male quick connect X GH ftg |
| | 671000 | Female quick connect X GH ftg |
| | 90090835 | Cap, RDI, 1/4" barb |